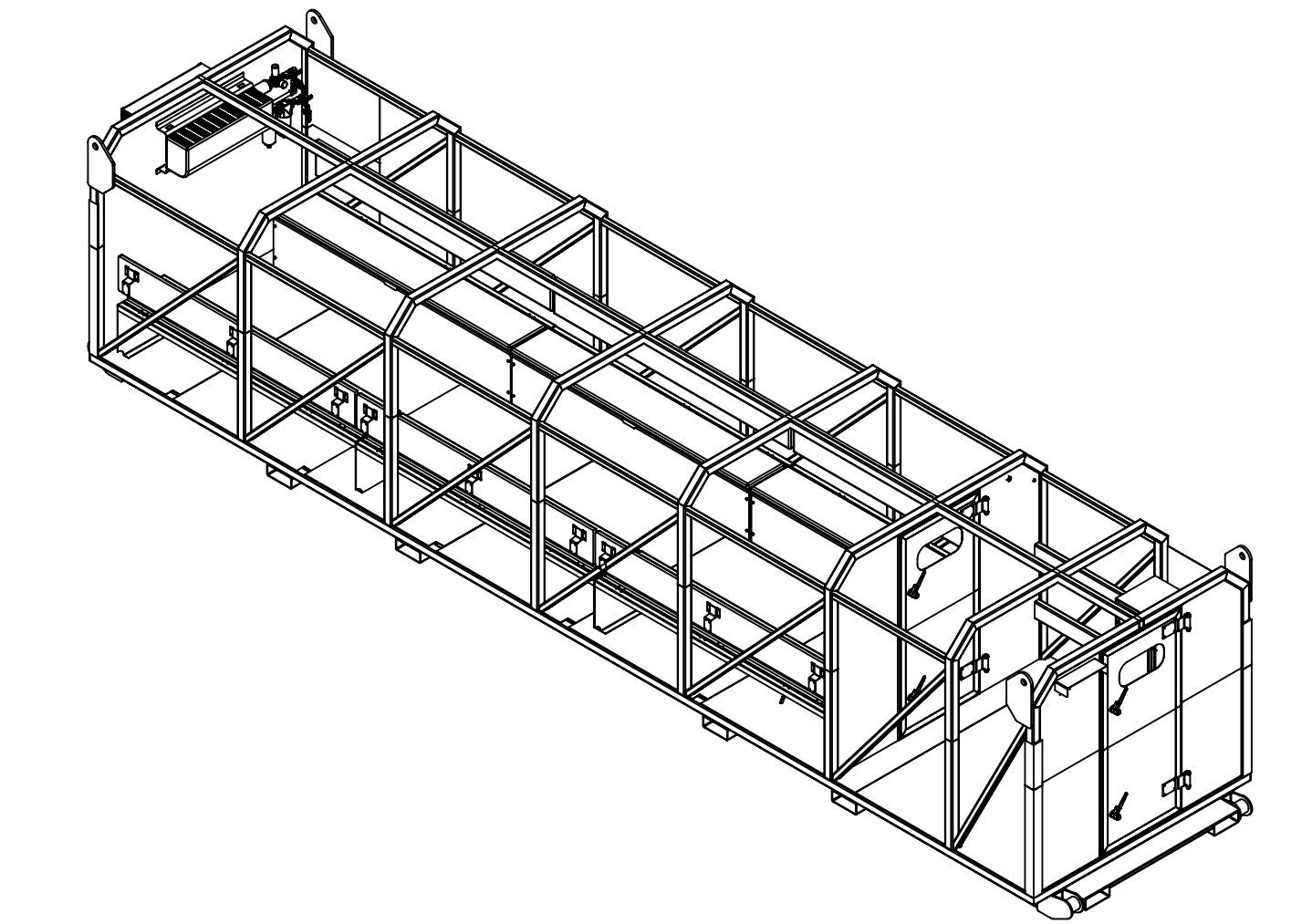
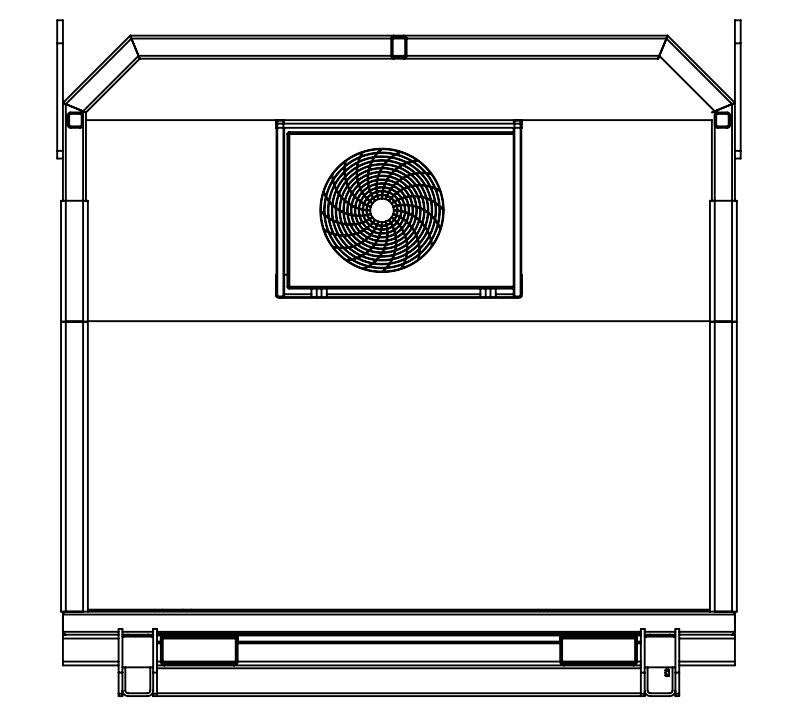
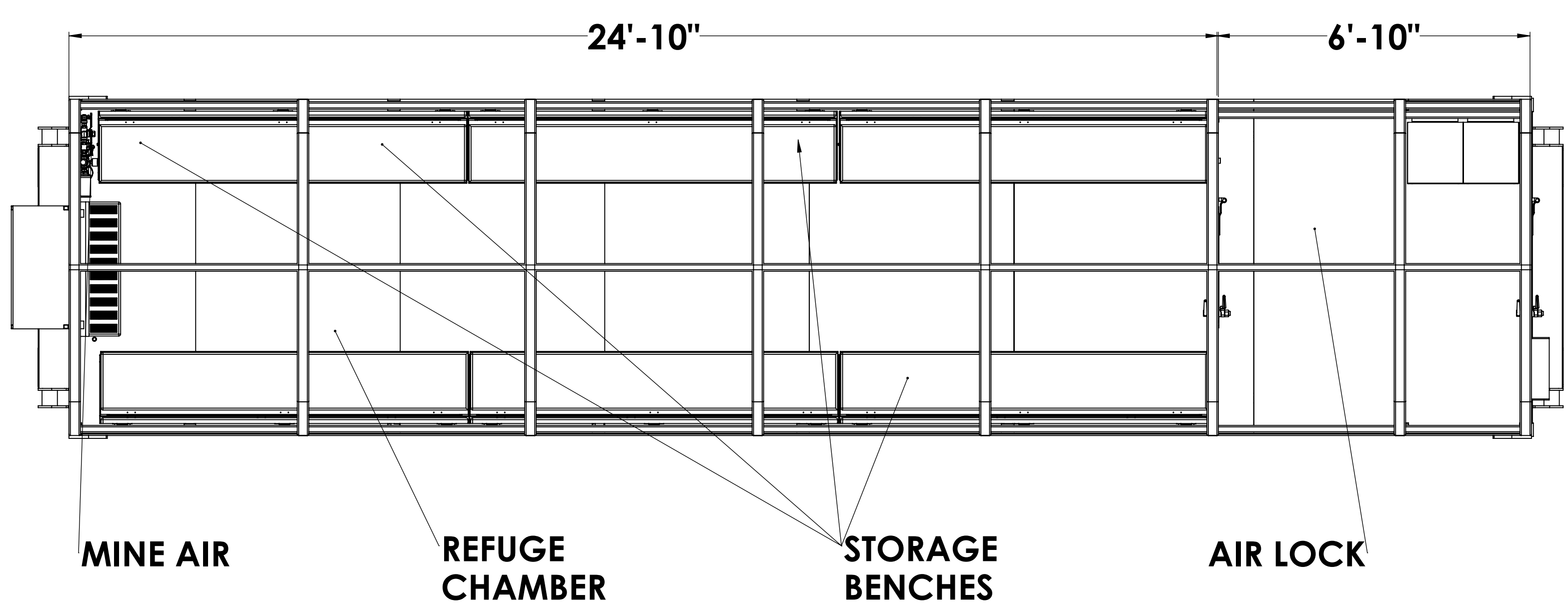


8 7 6 5 4 3 2 1

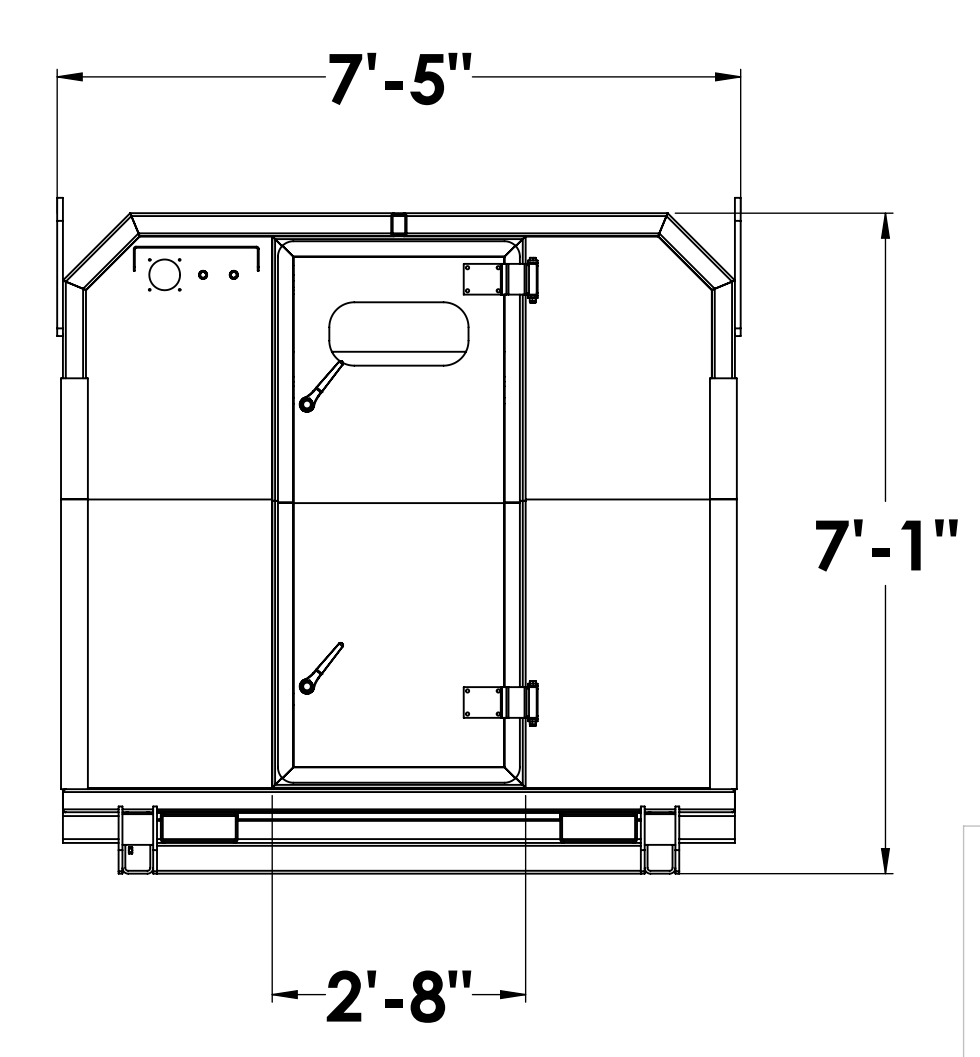
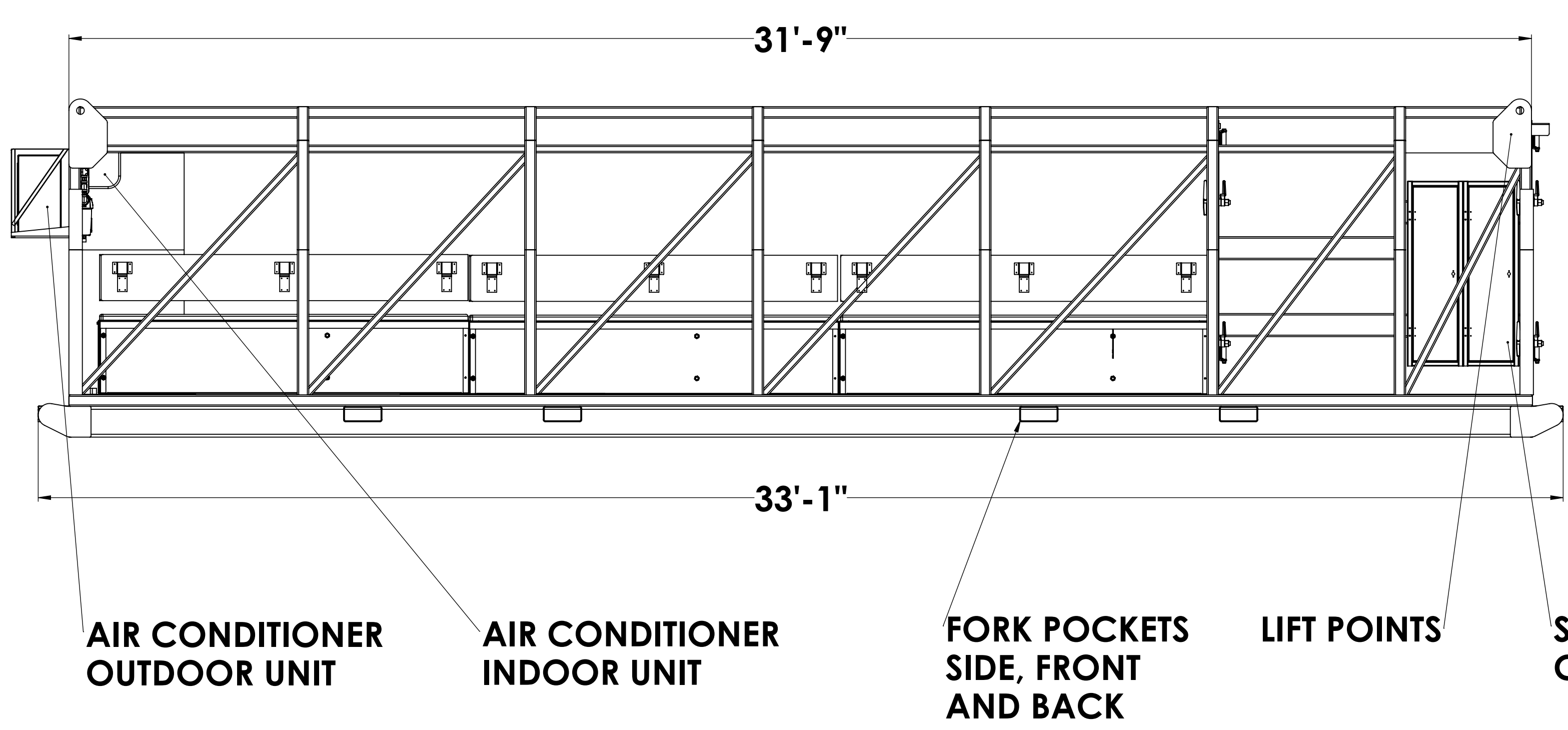
D

D



C

C



B

B



7 - 186 COCHLAN DR.
MORDEN, MB, R6M 1G5
Tel: (204) 822-8106
Toll Free: (866) 579-4921
www.on2solutions.ca

TITLE: **TOMMYKNOCKER 1**

DWG. NO.: **18029**

DRAWN: **Vlad Herasymiuk** DATE: **4/23/2018**

SCALE: SHEET:1 REV:

NOT TO SCALE

A

A

8 7 6 5 4 3 2 1

TITLE: **TOMMYKNOCKER 1 - 30' (18 POEOPLE)**

PROPRIETARY AND CONFIDENTIAL

THE INFORMATION CONTAINED IN THIS DRAWING IS THE SOLE PROPERTY OF ON₂ SOLUTIONS. ANY REPRODUCTION IN PART OR AS A WHOLE WITHOUT THE WRITTEN PERMISSION OF ON₂ SOLUTIONS IS PROHIBITED.