



OC-1V Oxygen Concentrator

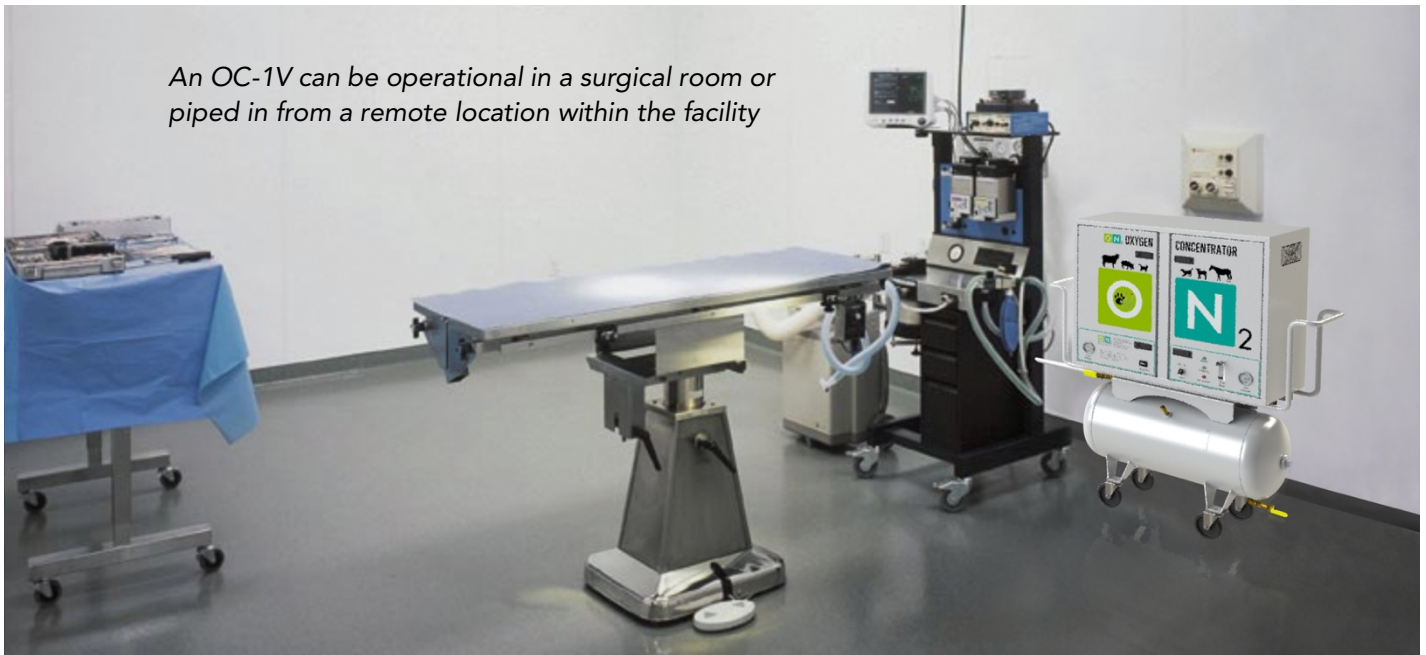
The ON₂ Oxygen Concentrator (OC) is specifically engineered for medical oxygen gas generation. ON₂ is now able to offer a compact OC that is specifically designed for Veterinary Medicine. The OC-1V produces up to 10 litres/min of 95% oxygen (+/-1%). Oxygen Concentrators have proven to offer unmatched reliability and operating efficiency for over 25 years. The OC-1V is able to provide an immediate reduction in oxygen costs and eliminate exposure to future increases due to increased usage or supplier price hikes. This OC-1V will provide the same reliability and longevity of our full-size hospital models, but it's size and mobility make it the perfect SOLUTION for Veterinary use.



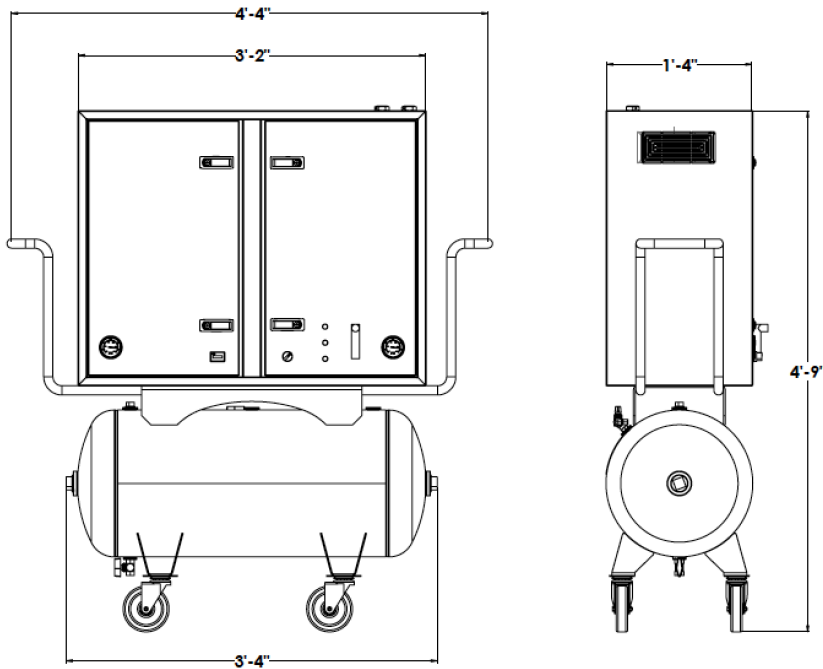
The ON₂ Advantage

- **NEVER RUN OUT of OXYGEN AGAIN!**
- Eliminate the cost of transportation, storage and cylinder rentals
- Dependable 24/7 operation
- Built to Last: with brass fittings and valves
- Uses less than .9 kW of electricity
- Simple to operate and maintain
- Automatically starts and stops, based on O₂ usage and demand
- Compact and mobile to fit any facility layout

An OC-1V can be operational in a surgical room or piped in from a remote location within the facility



PROVIDING A SOLUTION TO YOUR OXYGEN NEEDS FOR OVER 25 YEARS



Standard Package

- OC-1V Oxygen Concentrator
 - Sound Level - 60dB
 - Flow capacity - 10 LPM
 - Concentration - 95% oxygen (+/- 1%)
 - O₂ Storage Tank - 30 gallons
- Operating Temp - +10 / +40C
- Power Requirement - 15A / 115V
- Automatic start/stop as per facility demand
- Alarm Indications - High temp, Low O₂ purity, Service required
- Mobility - 4" locking castors

COST ANALYSIS

- RETURN ON INVESTMENT (ROI) – 6-10 MONTHS
- ELECTRICAL EXPENSES – LESS THAN \$.50/DAY
 - based on 8 hours of non-stop operation/day
- TOTAL UNIT PRICE - \$7950
- LEASING OPTIONS
 - \$358/month for 2 years
 - \$248/month for 3 years
 - \$194/month for 4 years
 - \$162/month for 5 years

*Unit price does not include taxes or shipping costs

Oxygen Concentrator

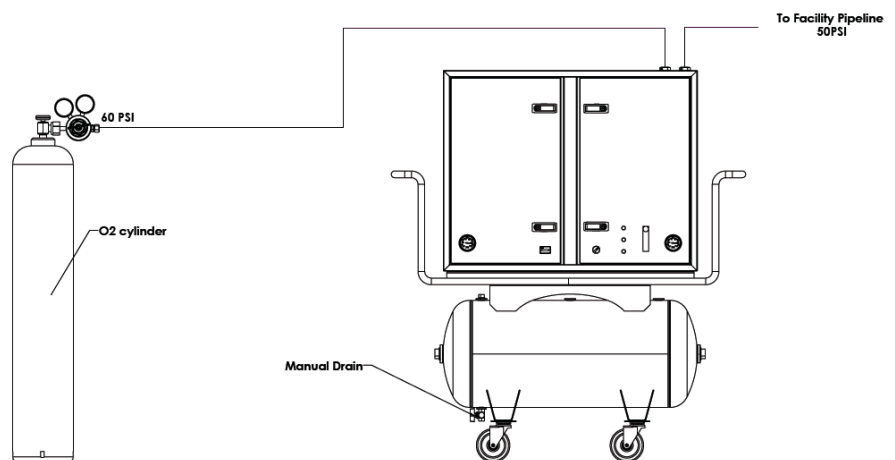
- Dimensions
 - 52" L X 16" W X 57" H
- Weight
 - 300 LBS
- Power Requirements
 - 15A / 115V
 - Regular 3 prong outlet

Cylinder Backup

A backup cylinder can be added to the OC-1V system to ensure adequate oxygen availability during extended power outages and/or periods of abnormal demand

The OC-1V has the flexibility of mobility between rooms or connect to the existing hospital piping.

An ON₂ representative will help determine your average - peak demand and calculate your immediate and long-term savings.



PROVIDING A SOLUTION TO YOUR OXYGEN NEEDS FOR OVER 25 YEARS