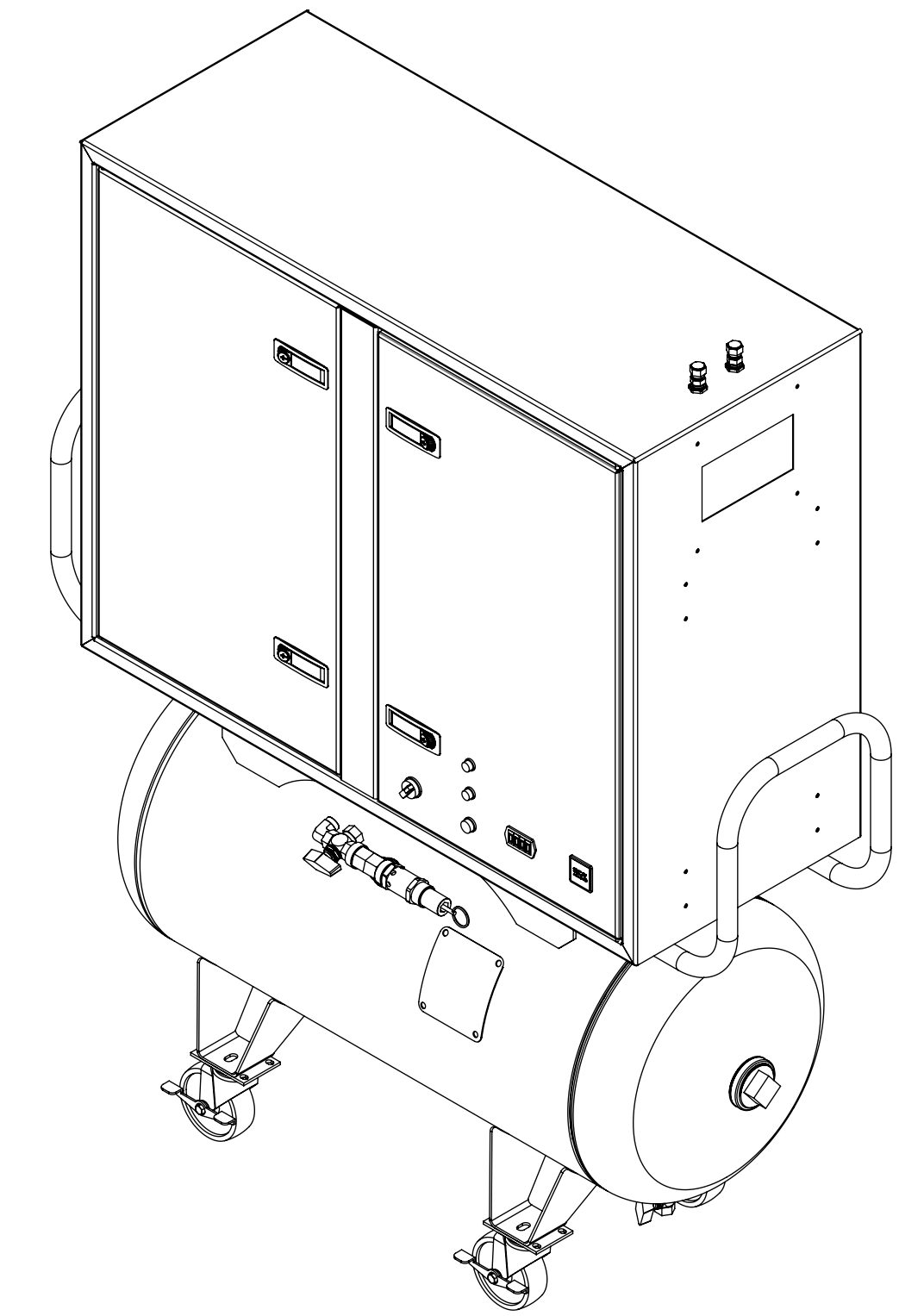


LEFT SIDE VIEW

FRONT VIEW

RIGHT SIDE VIEW



7 - 186 COCHLAN DR.
MORDEN, MB, R6M 1G5

Tel: (204) 822-8106
Toll Free: (866) 579-4921
www.on2solutions.ca

TITLE: **OC-1V System**

DWG. NO.: 18001

DRAWN: NB DATE: 17 January 2019

SCALE: SHEET:1 REV:

DO NOT SCALE DRAWING

TITLE: **OC-1V System - Dimensions**

PROPRIETARY AND CONFIDENTIAL

THE INFORMATION CONTAINED IN THIS DRAWING IS THE SOLE PROPERTY OF ON² SOLUTIONS. ANY REPRODUCTION IN PART OR AS A WHOLE WITHOUT THE WRITTEN PERMISSION OF ON² SOLUTIONS IS PROHIBITED.